



# The ST100E

## 4 Input Channel Mixer Amplifier: 100 Watts of Continuous RMS Power ST100E

Engineered for ease, yet built for rugged daily use, the **ST100E** is designed for numerous commercial sound and telephone paging applications. The **ST100E** features 4 channels (2 mic, 2 aux, 1 600 ohm/Tel-Page) delivering 100 watts of continuous RMS power with low distortion, wide frequency response, and full range bass and treble controls.

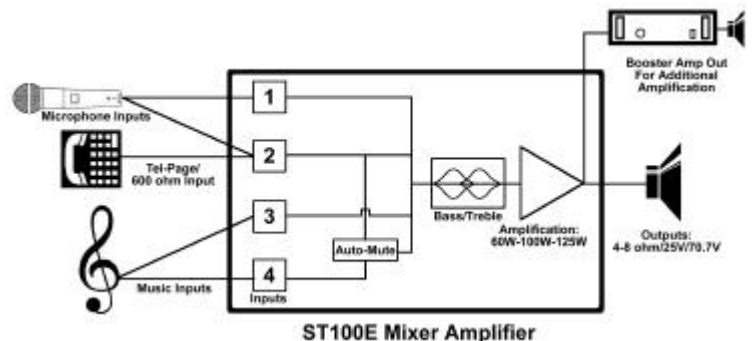
Most importantly, the **ST100E** features 2 female XLR connectors and built-in high-fidelity isolation transformers for low impedance inputs.

With over a half-century of experience in the industry, **Grommes-Precision** backs the **ST100E** with its unbeatable expertise and Precision Assurance Pledge: a **5 year warranty** and a **30 day money back guarantee**.

### FEATURES

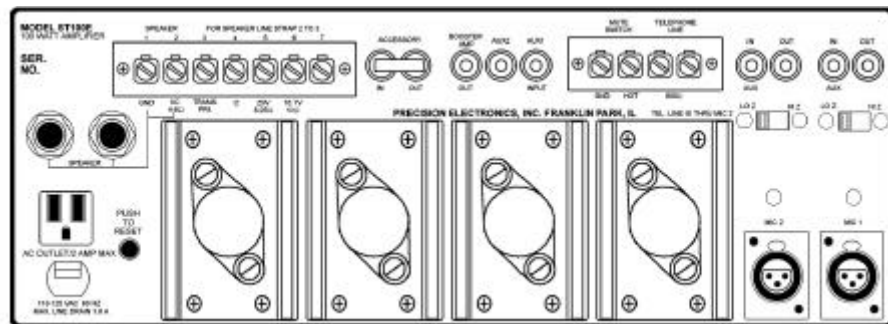
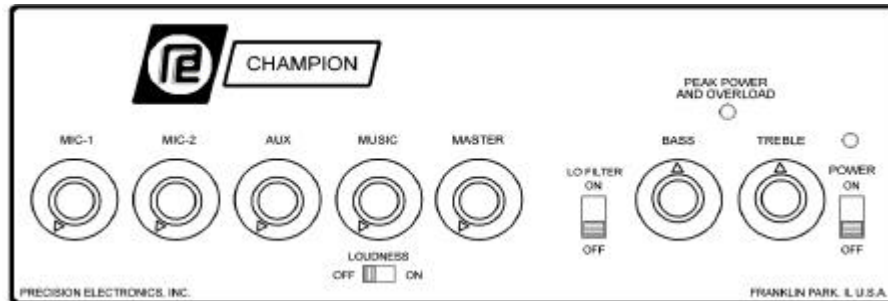
- 4 Mixing Channels with 100 Watts of Continuous RMS Power
- XLR Mic Connectors with Built-in Isolation Transformer Inputs
- 15V Phantom Power
- Automatic Music Muting
- Loudness Contour
- Master Gain Control
- Low Frequency Filter
- 25V & 70.7V Built-in Output Transformer
- Rack Mountable with Optional Kit
- 5 Year Warranty & 30 Day Money Back Guarantee

	ST100E
POWER OUTPUT RMS	100W
MIXING CHANNELS	4
DISTORTION @RPO	≤0.3%
OUTPUTS	4-8 ohm / 25V-70.7V LINE / BOOSTER
FREQUENCY RESPONSE DIRECT	+/-1dB 20-20kHz
LINE	+/-1dB 50-15kHz
INPUTS	2-MIC; 2-AUX; 1-600 ohm/TEL-PAGE
tone	BASS & TREBLE
MICROPHONE	XLR—ISOLATION TRANSFORMER
RACK UNITS	3U
DIMENSIONS	15.3"Wx4.5"Hx12.5"D
WEIGHT	25LBS





# Grommes~Precision Precision Electronics



## ST100E



# Grommes~Precision

847-678-5350 800-SINCE-46 FAX: 847-678-0511

9101 King Ave. Franklin Park, IL 60131 USA

[www.grommesprecision.com](http://www.grommesprecision.com)

Grommes~Precision

Grommes~Precision is an American manufacturer of original, custom, and private labeled audio/electronic equipment for use in commercial, consumer, and industrial applications since 1946.