



# Grommes~Precision Precision Electronics



## The PST Series

**4 Input Channel Mixer Amplifier: From 60 to 125 Watts of Continuous RMS Power**  
**PST60 • PST100 • PST125**

Engineered for rugged daily application, yet designed for ease-of-use, the **PST Series** is one of Grommes~Precision's most time-tested and popular mixer amplifiers. Years of field use has consistently proven the steadfast reliability and superb sound quality of the **PST Series**

Designed for demanding commercial sound and telephone paging applications, the **PST Series** delivers 30/60/100/125 watts of continuous RMS power. The **ST100E** delivers 100 watts of continuous power.

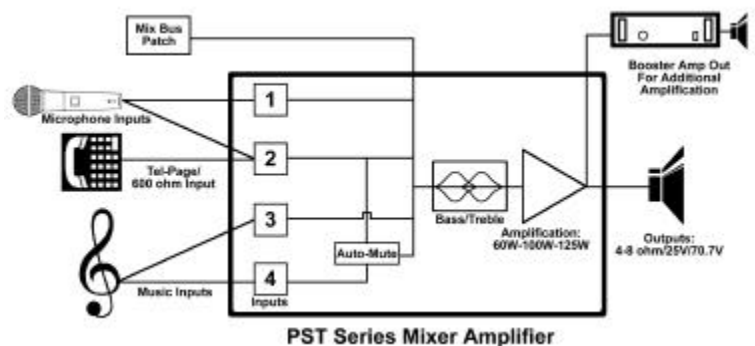
Each unit features 4 channels (2 mic, 2 aux, 1 600 ohm/Tel-Page) with low distortion, wide frequency response, two 1/4" microphone jacks, and full range bass and treble controls.

With over a half-century of experience in the industry, **Grommes~Precision** backs the **PST Series** with its unbeatable expertise and Precision Assurance Pledge: a **5 year warranty** and a **30 day money back guarantee**.

### FEATURES

- 4 Mixing Channels with 60, 100, & 125 Watts of Continuous RMS Power
- Automatic Music Muting
- Loudness Contour
- Low Frequency Filter
- 25V & 70.7V Built-in Output Transformer
- Mix Bus Patch
- Rack Mountable with Optional Kit
- 5 Year Warranty & 30 Day Money Back Guarantee

	PST60/100/125
POWER OUTPUT RMS	60W / 100W / 125W
MIXING CHANNELS	4
DISTORTION @ RPO	≤0.3%
OUTPUTS	4-8 ohm / 25V-70.7V LINE / BOOSTER
FREQUENCY RESPONSE DIRECT	+/-1dB 20-20kHz
LINE	+/-1dB 50-15kHz
INPUTS	2-MIC; 2-AUX; 1-600 ohm/TEL-PAGE
STONE	BASS & TREBLE
MICROPHONE	1/4" IC BALANCED
RACK UNITS	3U
DIMENSIONS	15.3"Wx4.5"Hx12.5"D
WEIGHT	19LBS / 23LBS / 28LBS



## Grommes~Precision

847-678-5350 800-SINCE-46 FAX: 847-678-0511

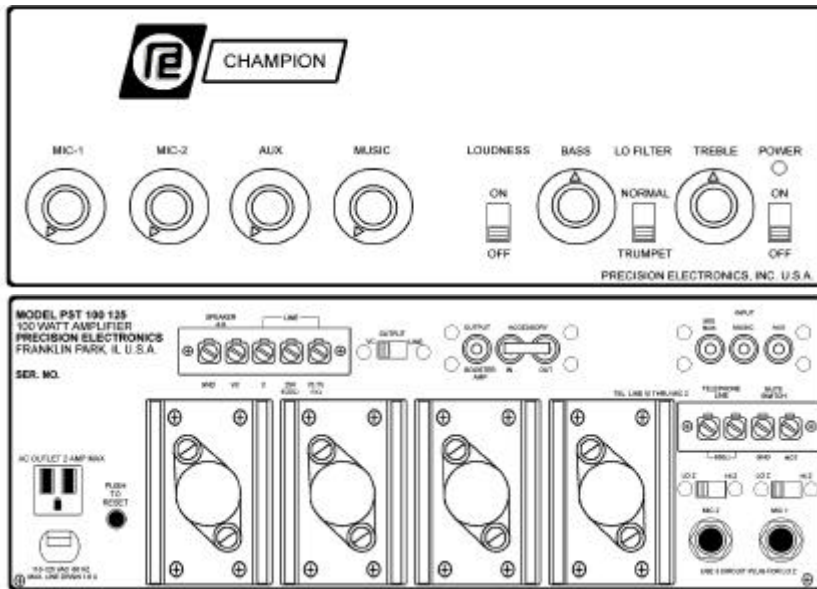
9101 King Ave. Franklin Park, IL 60131 USA

[www.grommesprecision.com](http://www.grommesprecision.com)

Grommes~Precision



# Grommes~Precision Precision Electronics



## PST 60, PST 100, & PST 125

### Architects Specifications

The mixer amplifier shall be a Grommes~Precision Electronics, Inc. model PST 60/100/125. The power amplifier shall provide 60/100/125 watts of continuous, monaural RMS power into a direct coupled 4-8 ohm, 25V, or 70.7V lines. The 25V and 70.7V output shall be supplied through a fully isolated output transformer. Total harmonic distortion at rated output shall be less than or equal to 0.3%. The frequency response for 4-8 ohm output shall be 20Hz to 20kHz, +0 to -1 dB. The frequency response for 25V and 70.7V output shall be 50Hz to 15kHz,  $\pm 1$ dB. Hum and noise shall be at least 75dB below rated output for auxiliaries and 65dB below for microphones, unweighted.

The input sensitivity required to receive full rated output shall be: microphone level (Lo-Z) - 0.3mV, Tel-Page - 50mV, 600 ohm - 0.50V, and Hi-Z - 0.50V. The input impedance shall be microphone level - 330 ohm, 600 ohm /

Tel-Page - 600 ohm, 600 ohm - 600 ohm, and Hi-Z - 10K ohm.

The mixer amplifier shall have full range bass and treble controls that adjust  $\pm 10$ dB at 50Hz for bass control and  $\pm 10$ dB at 10kHz for treble control.

The front panel shall include a power indicator, power switch, a loudness switch, a low filter switch, controls for each of four channels, and one each for the bass and treble.

The back panel shall include input connectors, microphone inputs (1/4", T. R.S., phone connectors), with a switch for Lo-Z or Hi-Z operation, phono (RCA) connectors for all Hi-Z inputs, and screw terminals for the 600 ohm/Tel-Page input. Output connectors shall be screw terminals.

An output switch shall connect the output transformer in circuit for 25V and 70.7V line outputs and also switch in a

low cut filter that begins to roll-off at 120 Hz. The circuit breaker and 2 ampere maximum convenience outlet shall also be on the back panel.

The mixer amplifier shall be available in either 120VAC 60Hz or 240VAC 50Hz versions (add DV to the model). The maximum power consumption of the 60 watt unit shall be 200W. The maximum power consumption of the 100 & 125 watt unit shall be 300W.

The unit shall measure 15.25"W x 4.5"H x 12.5"D (38.7cm x 11.4cm x 31.7cm). The unit shall weigh, 60 watt - 19lbs (8.7kg), 100 watt - 23lbs (10.5 kg), 125 watt - 28lbs (12.8 kg). The unit shall be rack mountable with optional rack mount kit RP-ST. The unit shall include a full 3 year warranty be designed and manufactured in the United States of America.



## Grommes~Precision

847-678-5350 800-SINCE-46 FAX: 847-678-0511

9101 King Ave. Franklin Park, IL 60131 USA

[www.grommesprecision.com](http://www.grommesprecision.com)

Grommes~Precision