



## The GTB Series

**6 Input Channel Mixer Amplifier: From 60 to 125 Watts of Continuous RMS Power  
GT60B • GT125B**

Engineered for ease, yet built for rugged daily use, the 6 channel (4 mic, 2 aux, 1 600 ohm/Tel-Page) **GTB Series** is designed for a variety of commercial sound and telephone paging applications.

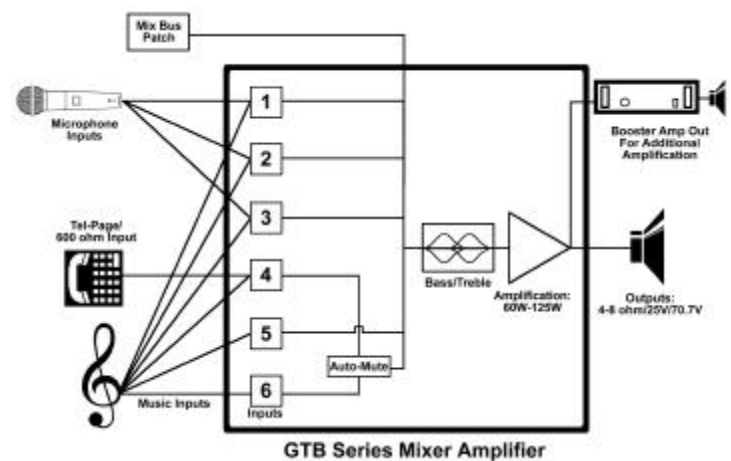
The **GTB Series** will control, mix, and amplify 4 microphones and 2 aux, 6 aux, or any combination delivering 60/100 watts of continuous RMS power with low distortion, wide frequency response, and full range bass and treble controls. The **GTB Series** features 4 female XLR connectors and built-in high-fidelity isolation transformers for low impedance inputs and superior noise rejection.

Plus, with over a half-century of experience in the industry, **Grommes~Precision** backs the **GTB Series** with its unbeatable expertise and Precision Assurance Pledge: a **5 year warranty** and a **30 day money back guarantee**.

### FEATURES

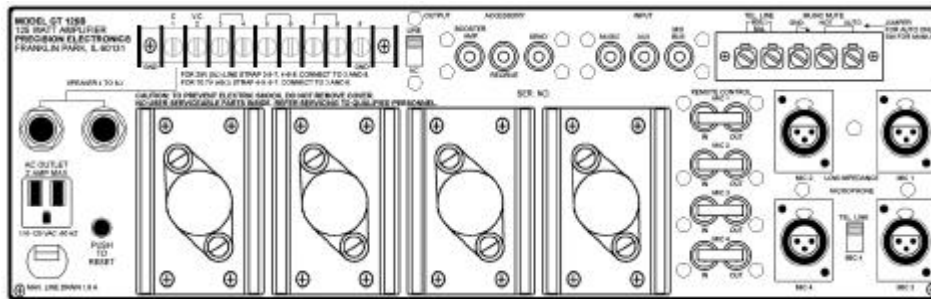
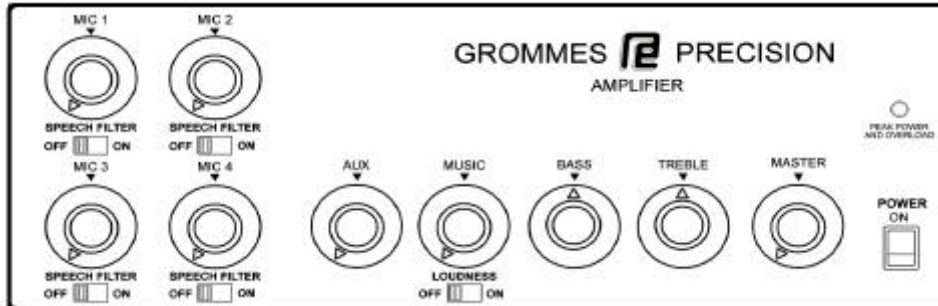
- **6 Mixing Channels with 60 or 125 Watts of Continuous RMS Power**
- **Balanced Isolation Transformer Inputs For Channels 1 To 4.**
- **15 Volt Phantom Power**
- **Built in 600 ohm Tel-Page Input**
- **Automatic or Contact Closure Muting**
- **Individual Low Speech Filter Switches for Each Mic Channel**
- **Mix Bus Patch**
- **Separate Wide Range Bass and Treble Controls**
- **In-Out Connectors for Remote Microphone Control**
- **25V & 70.7V Built-in Output Transformer**
- **Rack Mountable with RP-GT Kit**
- **5 Year Warranty & 30 Day Money Back Guarantee**

GTB Series	
POWER OUTPUT RMS	60W / 125W
MIXING CHANNELS	6
DISTORTION @RPO	≤0.3%
OUTPUTS	4-8 ohm / 25V-70.7V LINE / BOOSTER
FREQUENCY RESPONSE DIRECT	+/-1dB 20-20kHz
LINE INPUTS	+/-1dB 50-15kHz
MICROPHONE INPUTS	4-MIC; 2-AUX to 6-AUX; 1-600 ohm/TEL-PAGE
TONES	BASS & TREBLE
MICROPHONE PHANTOM POWER	XLR—ISOLATION TRANSFORMER
RACK UNITS	+15V 3U
DIMENSIONS	17"Wx5.25"Hx8.5"D
WEIGHT	22LBS / 29LBS





# Grommes~Precision Precision Electronics



## GT60B & GT125B



# Grommes~Precision

847-678-5350 800-SINCE-46 FAX: 847-678-0511

9101 King Ave. Franklin Park, IL 60131 USA

[www.grommesprecision.com](http://www.grommesprecision.com)

Grommes~Precision