



# Grommes~Precision Precision Electronics



PE2A



PE-3

## The PE Series

Line Amplifiers

PE2A • PE3

The compact, versatile **PE-2A** is a multi-purpose line amplifier designed for numerous applications, from "Music-On-Hold-Systems" to driving remotely located amplifiers.

The compact **PE-3** is a microphone line amplifier that is designed especially for longer cable runs on low impedance microphones.

Both the **PE-2A** and the **PE-3** are equipped with dual outputs (600 ohm and 8 ohm) and independent volume controls and can be used as both a line amplifier and monitor amplifier simultaneously.

With over a half-century of experience in the industry, **Grommes~Precision** backs the **G4EQA** with its unbeatable expertise and Precision Assurance Pledge: a 30 day money back guarantee and five year warranty.

### FEATURES

- 2 Independent Output Channels
- Level Controls for Each Output Channel
- Low Distortion
- Wide Frequency Response
- Compact & Reliable
- Great For Impedance Problems
- 5 Year Warranty & 30 Day Money Back Guarantee

	PE2A /PE3
POWER OUTPUT RMS	1.5W @ 8 ohm / 0.1W @ 600 ohm
DISTORTION @RPO	≤0.1%
OUTPUTS	8 ohm / 600 ohm / HI IMPEDANCE
FREQUENCY RESPONSE	
DIRECT	+/-1dB 20-20kHz
INPUTS	LINE or 600 ohm / MIC
RACK UNITS	N/A
DIMENSIONS	5.625"Wx2.125"Hx4.25D
WEIGHT	2LBS



## Grommes~Precision

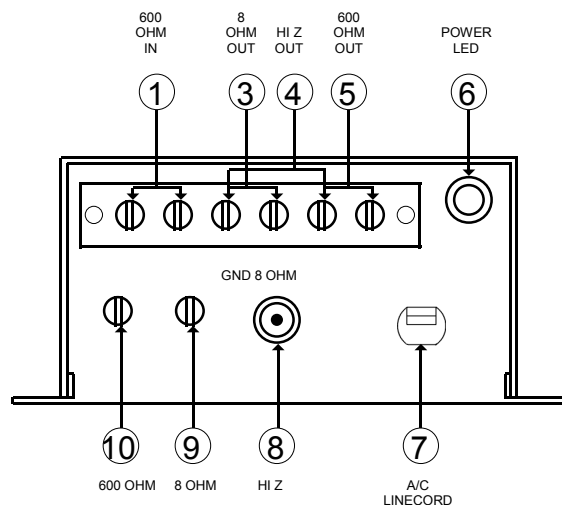
847-599-1799 · 800-SINCE-46 · FAX: 847-599-6178

1331 Estes Ave. · Gurnee, IL 60031 · USA

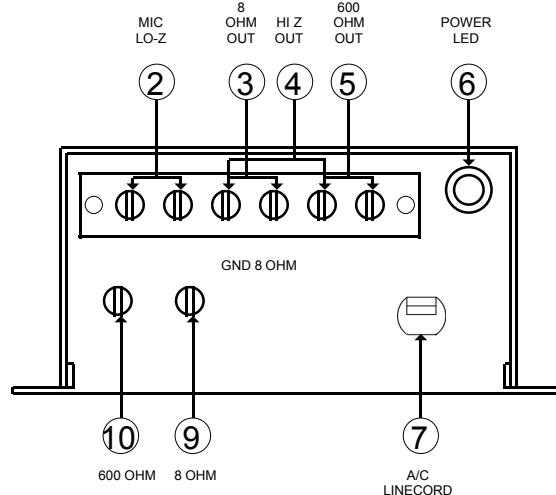
[www.grommesprecision.com](http://www.grommesprecision.com)

Grommes~Precision

## INSTRUCTIONS FOR MODELS PE-2A AND PE3



PE-2A



PE-3

### Inputs

**1. High Impedance**— This phono (RCA) jack may be used to connect any high impedance input to the line amplifier. Ideally used for “Music-on-Hold” systems. Shown above and labeled 8. It is only available on model **PE-2A**.

**2. 600 OHM**— Connect any 600 ohm source or

telephone page line to these screw terminals. Shown above, labeled 1 for model **PE-2A** only.

**3. Low Impedance Microphone**— Only available on the **PE-3**, connect any low-impedance source to the screw terminal, labeled 2, above utilizing the 3rd terminal as ground.

### Outputs

**1. 8 OHM**— This output can be used in applications to drive one 8 Ω speaker at a power of one watt. Shown above labeled 3, it is adjustable with 8 Ω control labeled 9.

**2. 600 OHM**— Connect this output to certain private telephone systems for “Music-on-Hold” and adjustable with the 600 Ω control (10). This

output is a balanced line and can be used to drive remotely located power amplifier or other equipment with 600 Ω input. Labeled 5 above.

**3. High Impedance**— To connect to a high-impedance input use one side of 600 Ω and ground. Shown above labeled 4, and adjustable with control numbered 10 above.





# Grommes~Precision

847-599-1799 · 800-SINCE-46 · FAX: 847-599-6178

1331 Estes Ave. · Gurnee, IL 60031 · USA

[www.grommesprecision.com](http://www.grommesprecision.com)